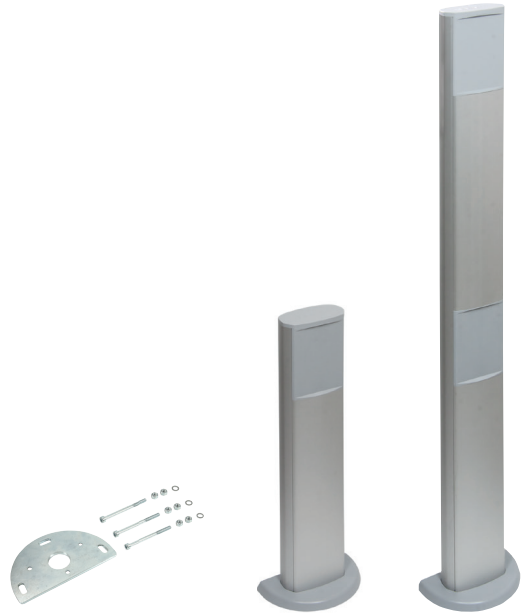
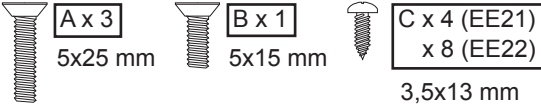


Manuale per il collegamento e l'uso
Installation and operation manual

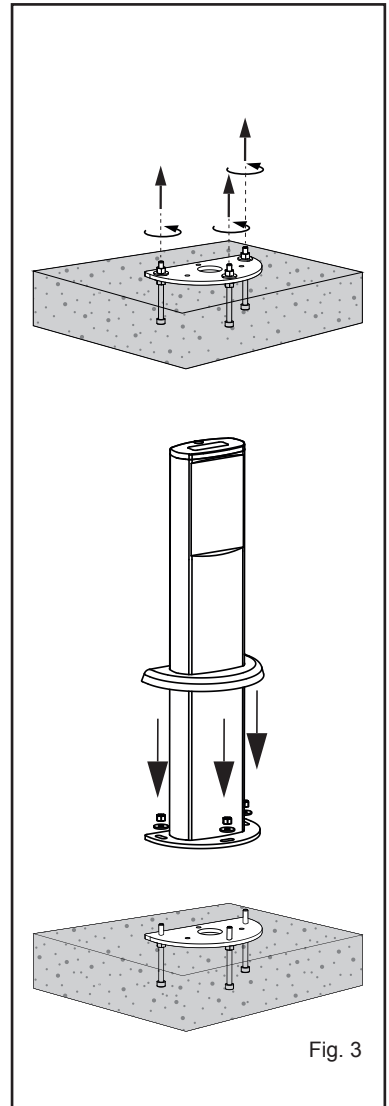
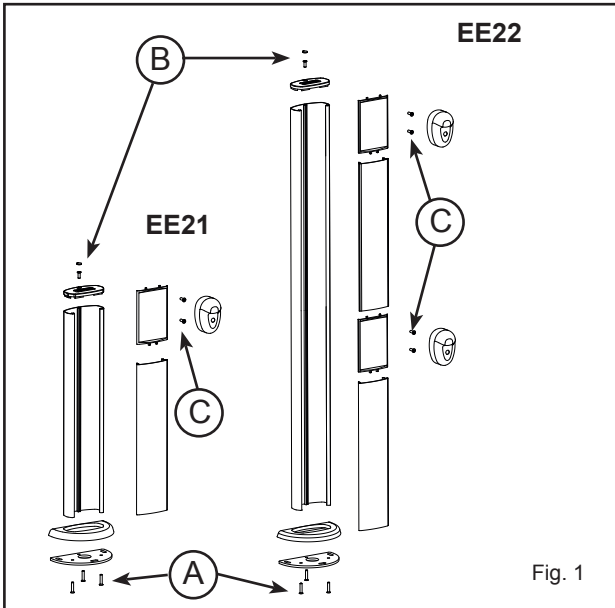
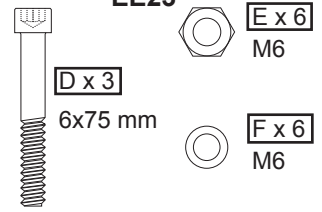


EE21 - EE22 - EE23
Colonnine per accessori
Accessories post

EE21 - EE22



EE23



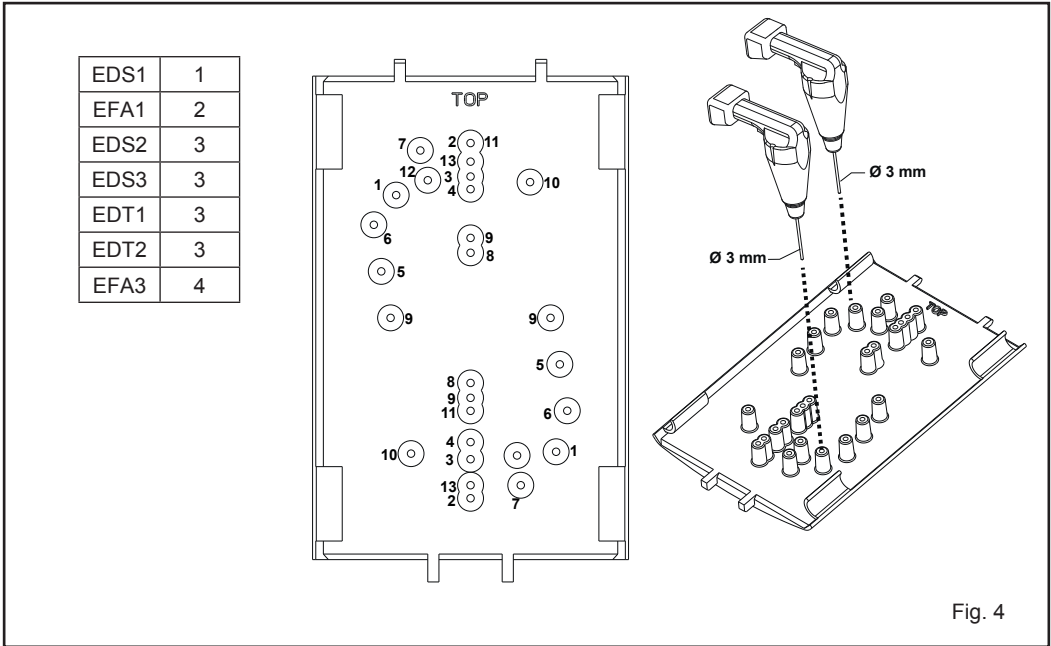


Fig. 4

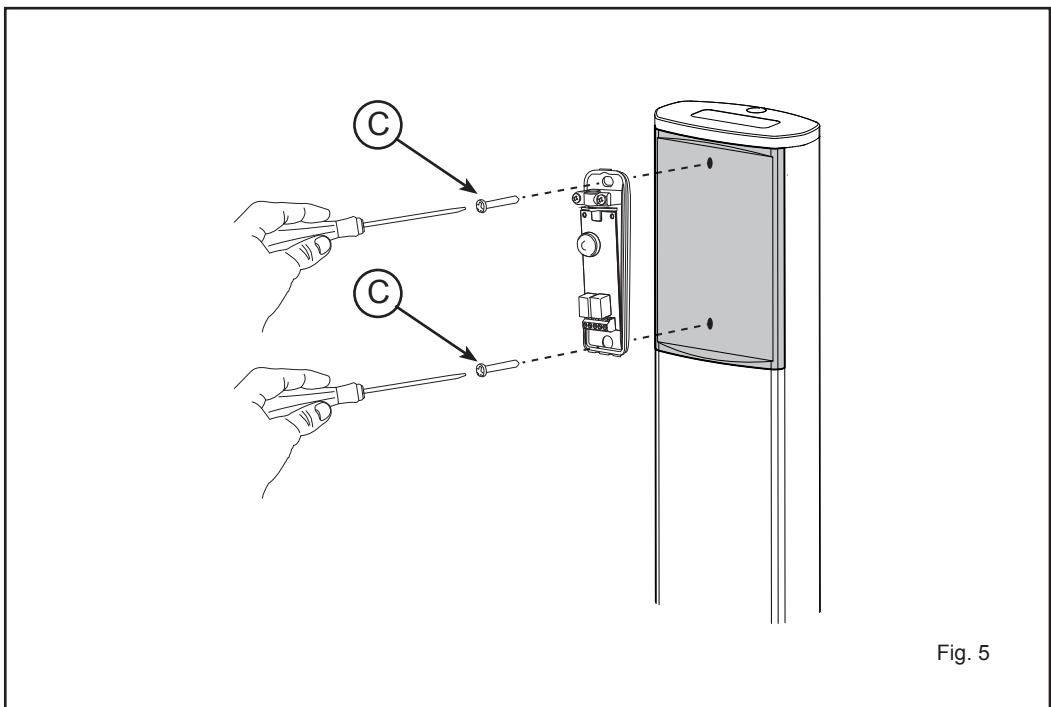


Fig. 5

ELVAX

 **VIMAR** group

Vimar SpA: Viale Vicenza, 14
36063 Marostica VI - Italy

Tel. +39 0424 488 600 - Fax (Italia) 0424 488 188 

Fax (Export) 0424 488 709

www.vimar.com

49400842A0 01 15 11
VIMAR - Marostica - Italy