

|              |             |              |              |
|--------------|-------------|--------------|--------------|
| <b>Eikon</b> | <b>Arké</b> | <b>Plana</b> | <b>03996</b> |
| 20196        | 19196       | 14196        | 03997        |

**20196, 19196, 14196** - Quid electronic switch for roller shutter with slat orientation with relay outputs for  $\cos\phi$  0.6 motor 2 A 220-240 V~ 50/60 Hz, position saving.


**03996** - Quid electronic relay module for roller shutter with slat orientation with relay outputs for  $\cos\phi$  0.6 motor 2 A 220-240 V~ 50/60 Hz, position saving, installation in junction boxes or connector block boxes.

The device is designed to control a load such as a roller shutter, shutter or curtain while also allowing the adjustment of the position of the roller shutter or slats. It is available in the version with 1-module double push button to match the Eikon, Arké and Plana wiring series or for retrofit controlled by double push button. The devices can be connected together and managed from a single centralised control. The favourite roller shutter position can be saved and recalled starting from any initial position.

**03997** - Quid roller shutter control unit module, 2 inputs for NO push button, 6 outputs for Quid roller shutter relay module 03996, 220-240 V 50/60 Hz power supply, installation in junction boxes or connector block boxes.

The device, which can be installed inside connector block boxes, is designed to manage several groups of roller shutters and control them from a single point.

### CHARACTERISTICS of art. 20196, 19196, 14196 and 03996.

- Rated supply voltage: 220 – 240 V~ 50/60 Hz.
- Absorption: 13 mA.
- Relay output
- Controllable loads at 220-240 V~:
  - resistive loads : 5 A (20,000 cycles);
  - $\cos\phi$  0.6 motors: 2 A (20,000 cycles).
- Double push button for art. 20196-19196-14196
- LED for load status indication and programming.
- Terminals:
  - motor (UP) and (DOWN) relay contacts
  - line L
  - neutral N
  - C and C group control input to connect to art. 20062-19062-14062. For art. 20196-19196-14196 additional local control input using art. 03997.
  - in art. 03996 dedicated P and P input for local control (for instance art. 20062-19062-14062, 20066-19066-14066).
- Number of roller shutters that can be connected: max. 20
- Max. length of cables for each section: 50 m
- Possible functions:
  - roller shutter/curtain position adjustment.
  - slat position adjustment.
  - saving and calling of favourite roller shutter/curtain position starting from any initial position.
  - control from interlocked or non-interlocked double push button.
- Dissipated power of art. 03996: max. 1 W.
- In the event that several roller shutter relays are connected using control unit module 03997, the system must be set up with a single Hysteresis and/or RCBO circuit breaker.
- It should be used in dry, dust-free places at a temperature of between 0 °C and +45 °C.

### Art. 03997 CHARACTERISTICS.

- Rated supply voltage: 220 – 240 V~ 50/60 Hz.
- Control via interlocked or non-interlocked double push button.
- In combination with art. 20196-19196-14196 is designed to insert an additional local control.
- Designed to control 3 groups of roller shutters.
- Number of roller shutters that can be connected: max. 20
- Number of group levels: max. 3
- Max. length of cables for each section: 50 m
- It should be used in dry, dust-free places at a temperature of between 0 °C and +45 °C.

### CONFIGURATION of art. 20196,19196,14196 and 03996.

Configuration is done using the device dip switch and the control push buttons (see figures 20196-19196-14196 and 03996). **N.B. For art. 03996 switch off the power supply before accessing the device and operating the dip switches.**

#### TIMING

The relay is set by default with an operating time of 120 s; to modify this value, proceed as follows:

- Lower the roller shutter/curtain until you reach the limit stop
- Position the dip switch on SET; the LED begins to flash (if you press (DOWN) nothing happens)
- Press and hold down (UP) to raise the roller shutter/curtain; the LED is permanently lit.
- Once the roller shutter/curtain reaches the limit stop, briefly press (DOWN) or (UP).
- The LED starts to flash again and the roller shutter/curtain moves DOWN for 1 s and UP FOR 1 S.
- Replace the dip switch in the OFF position; the LED goes out.

#### FAVOURITE POSITION

**Important: to make this setting you first need to have completed the TIMING procedure.**

- Take the roller shutter/curtain to your favourite position.
- Press (UP)/ (DOWN) for 3 s or press briefly (UP) or (DOWN) 5 times; the roller shutter/curtain moves DOWN for 1 s and UP for 1 s to confirm the setting.

#### RESET

Shift the dip switch from the OFF position to the SET position to reset all the settings made. In the event of a power failure, all the settings remain saved.

### LOCAL AND GROUP CONTROL BUTTON FUNCTIONS.

- Press and hold down (for more than 1 s) = roller shutter/curtain opening/closing.
- Press briefly (less than 1 s) = slat adjustment.
- Press (UP) or (DOWN) briefly twice = recalls the favourite position.

### INSTALLATION RULES.

- Installation must be carried out by qualified persons in compliance with the current regulations regarding the installation of electrical equipment in the country where the products are installed.
- The power supply circuit (L-N) must be protected against overloads by installing a C10 A automatic 1-way switch.
- Art. 03996 and 03997 can be installed inside junction boxes provided they have been declared suitable for electrical devices that dissipate energy.

### REMOTE CONTROL RECEPTION.

Quid can be remote controlled using the following devices:

- **DueFili+ video door entry system: Video Door App + art. 40507 + art. 69RH or 69PH (programmed for 2 s timed actuation)**  
The DueFili+ system is designed to configure a timed actuation (relay art. 69RH or 69PH) and control it from video door entry indoor stations. If the indoor station is connected (art. 40507) actuation can be remote controlled via the Video Door App.
- **IP video door entry system: Video Door App + art. 40607 + art. 40636 (programmed for 2 s timed actuation)**  
The IP video door entry system is designed to configure a timed actuation (relay art.40636) and control it from video door entry indoor stations. If the indoor station is connected (art. 40507) actuation can be remote controlled via the Video Door App.
- **GSM thermostat 01913:** the device is fitted with a programmable output to which an auxiliary supporting relay needs to be connected (a common one-position stable relay with a 230V coil is sufficient). Actuation is then controlled via the By-Phone App or the By-Clima App (or directly via SMS text message).

### REGULATORY COMPLIANCE.

LV Directive. EMC directive. EN 60669-2-1 standard.

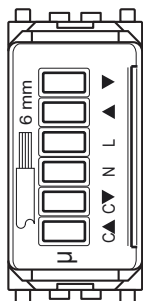
REACH (EU) Regulation no. 1907/2006 – Art.33. The product may contain traces of lead.



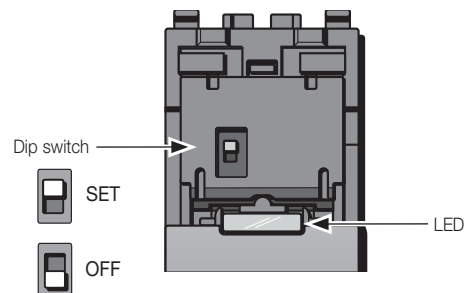
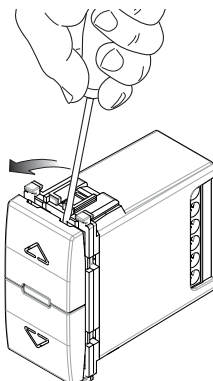
**WEEE - User information**

The crossed bin symbol on the appliance or on its packaging indicates that the product at the end of its life must be collected separately from other waste. The user must therefore hand the equipment at the end of its life cycle over to the appropriate municipal centres for the differentiated collection of electrical and electronic waste. As an alternative to independent management, you can deliver the equipment you want to dispose of free of charge to the distributor when purchasing a new appliance of an equivalent type. You can also deliver electronic products to be disposed of that are smaller than 25 cm for free, with no obligation to purchase, to electronics distributors with a sales area of at least 400 m<sup>2</sup>. Proper sorted waste collection for subsequent recycling, processing and environmentally conscious disposal of the old equipment helps to prevent any possible negative impact on the environment and human health while promoting the practice of reusing and/or recycling materials used in manufacture.

**20196-19196-14196**

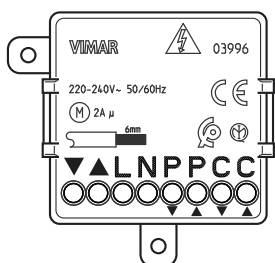


- = Motor DOWN
- = Motor UP
- L = Phase
- N = Neutral
- C = DOWN local and group control input
- C = UP local and group control input

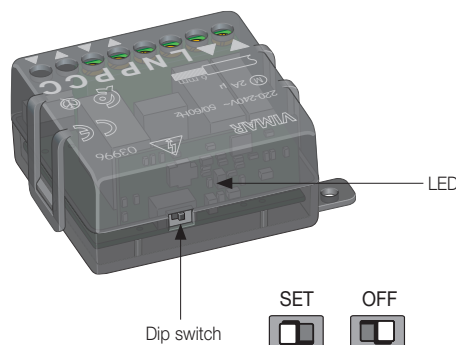


- Dip switch
- SET
- OFF

**03996**

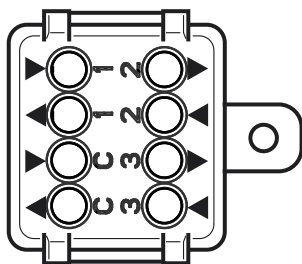


- = Motor DOWN
- = Motor UP
- L = Phase
- N = Neutral
- P = DOWN control input
- P = UP control input
- C = DOWN group control input
- C = UP group control input



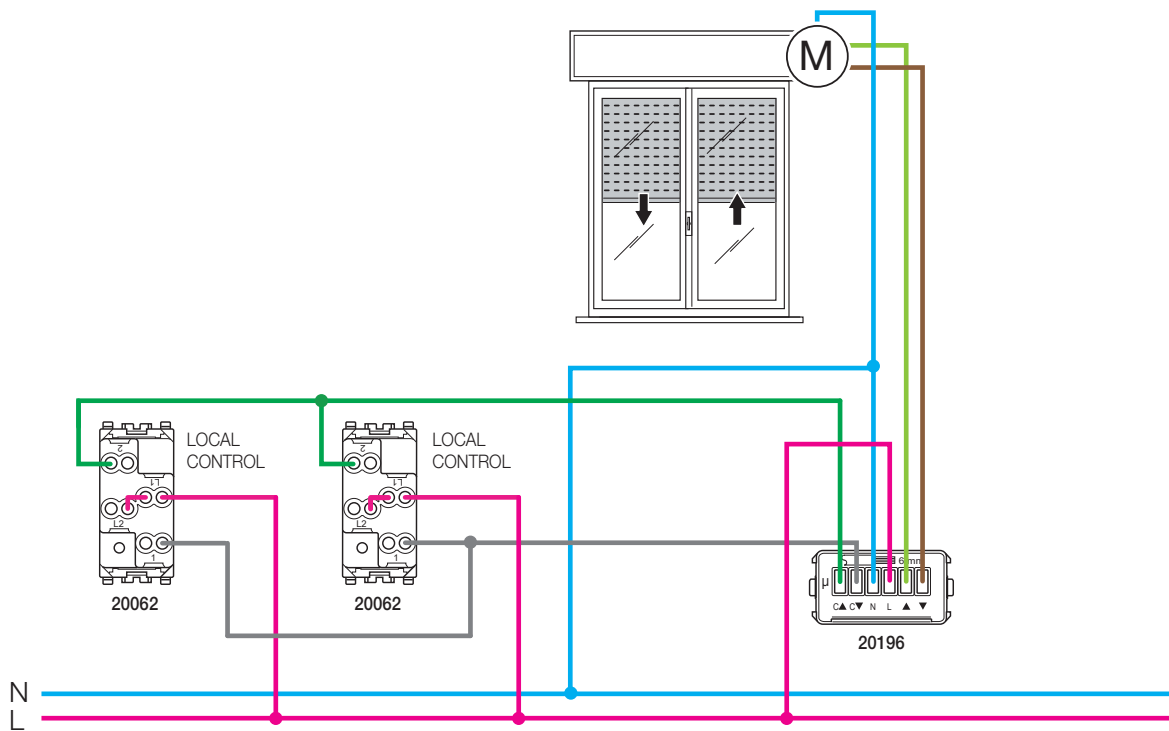
- Dip switch
- SET
- OFF

**03997**

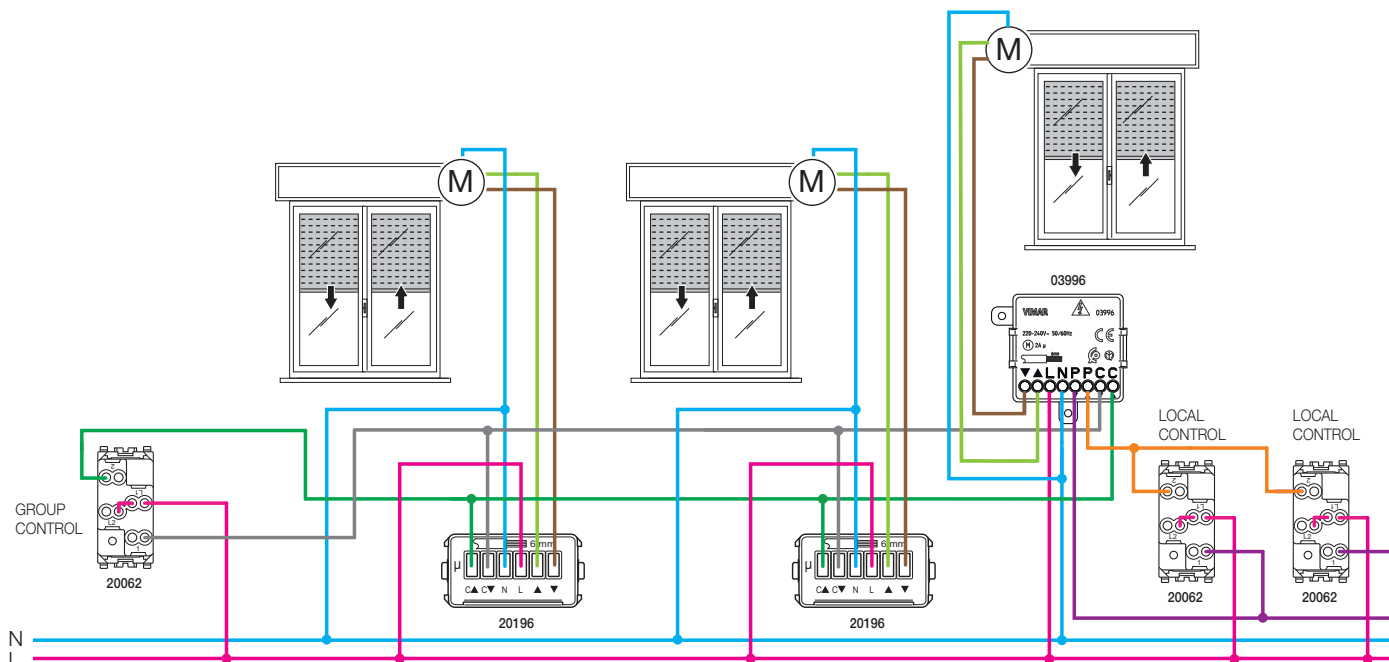


- 1 = DOWN group 1 input
- 1 = UP group 1 input
- C = DOWN control input
- C = UP control input
- 2 = DOWN group 2 input
- 2 = UP group 2 input
- 3 = DOWN group 3 input
- 3 = UP group 3 input

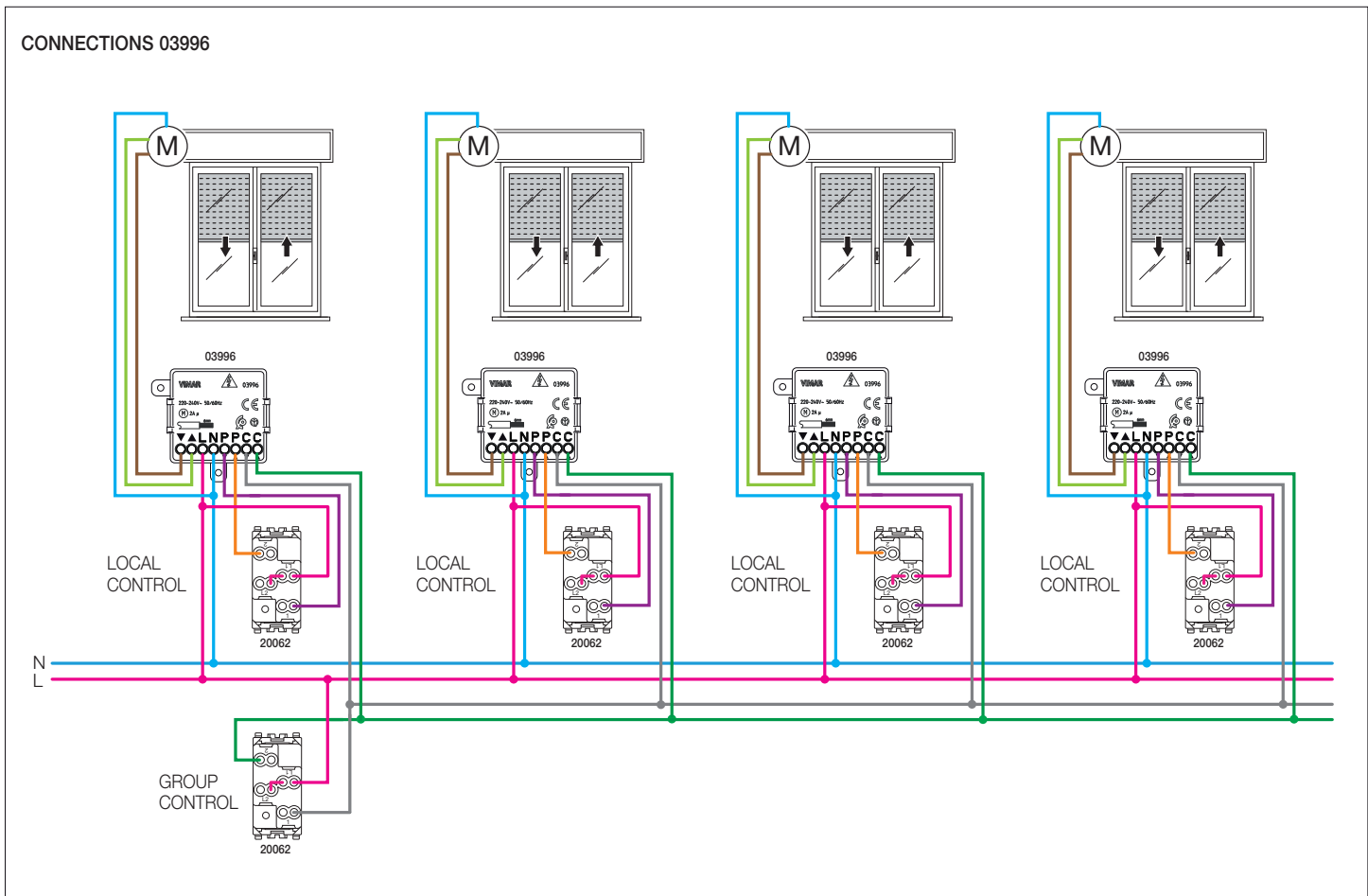
20196-19196-14196 CONNECTION FOR LOCAL ROLLER SHUTTER CONTROL FROM ONE OR MORE POINTS



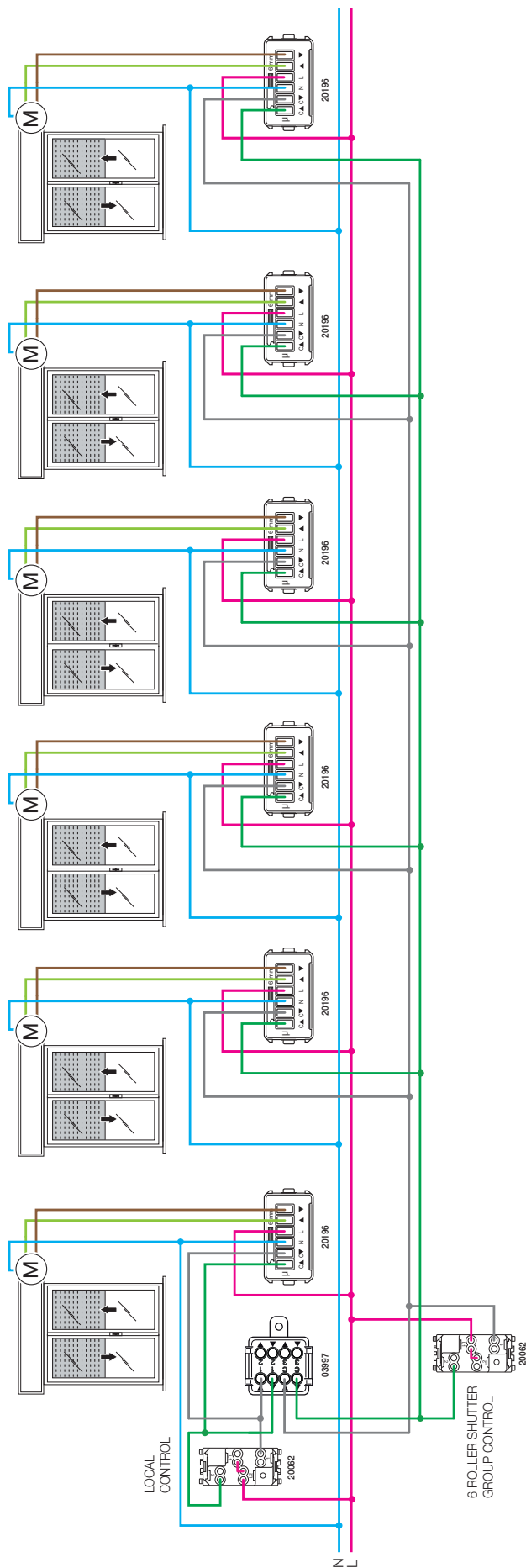
ROLLER SHUTTER CENTRALISED MANAGEMENT CONNECTION WITH 20196-19196-14196 and 03996



CONNECTIONS 03996



CONNECTION WITH 03997 FOR INSERTION OF ADDITIONAL LOCAL CONTROL 20196-19196-14196



### 20196-19196-14196 and 03997 MULTI-AREA CONNECTIONS

Home on 2 floors divided into 3 areas per floor, group control for each area, group control per floor and group control for the whole house.

**Installation restrictions**

- max. 20 roller shutters
- max. cable length 50 m per section
- 3 group levels

