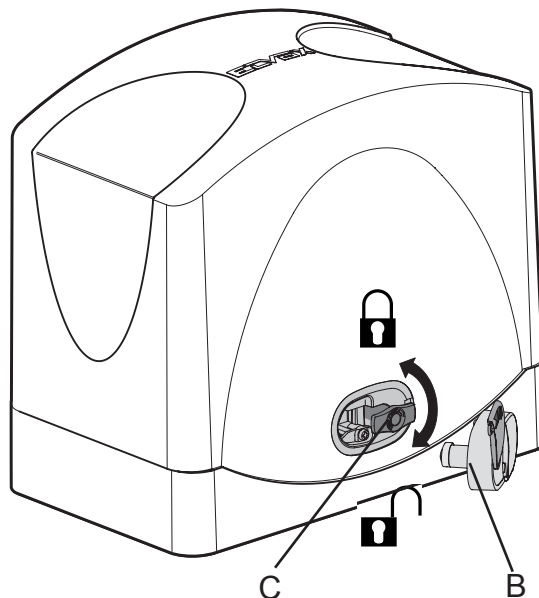
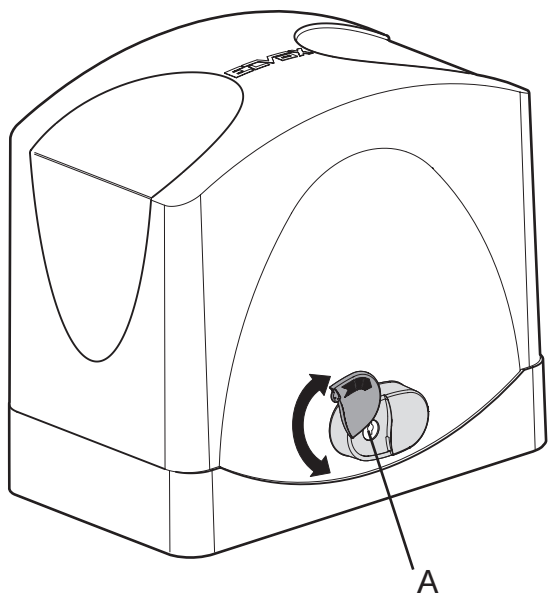


USER MANUAL

MANUAL RELEASE

- To unlock, insert the key, at point A, and turn it 180° anticlockwise.
- Open the door B and rotate the knob C 5 turns clockwise
- The actuator is unlocked. Close the door B.
- To block the operator, follow the procedure in reverse order.



Association of the remote control buttons

	Button 1 function	Button 2 function	Button 3 function	Button 4 function
Radio control 1				
Radio control 2				
Radio control 3				
Radio control 4				

