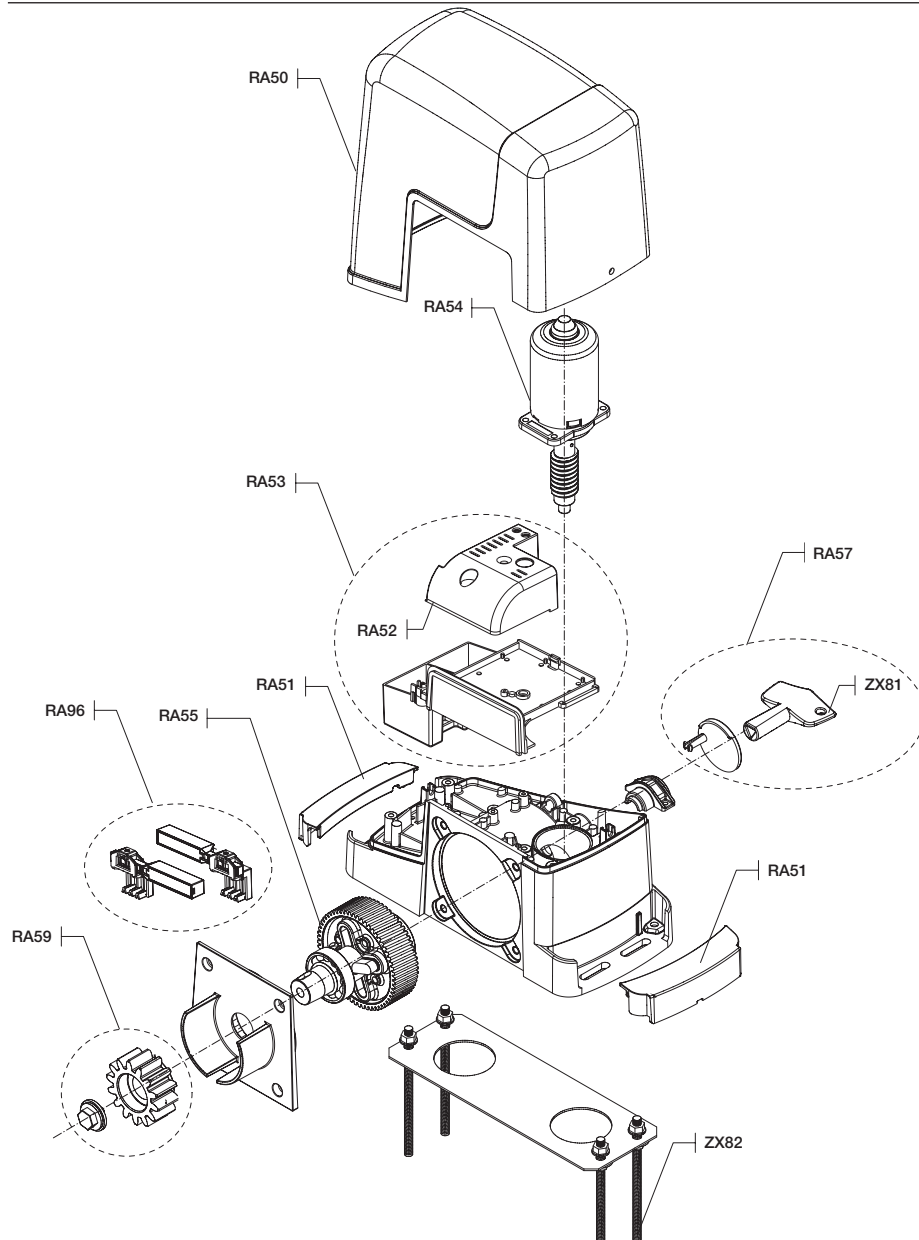


Automation systems: spare parts guide

ACTO 404D series (ESM7)



Spare part	Spare part description	Contained in
RA50	Cover for ESM7	ESM7
RA51	Left-hand and right-hand anchor covers for ESM7	ESM7
RA52	Electronic board cover for ESM7	ESM7
RA53	Electronic board support and cover assembly for ESM7	ESM7
RA54	Motor assembly for ESM7. It includes flange, seals, bearings, worm-drive and aluminium casting fastening screws	ESM7
RA55	Gearbox assembly for ESM7. It includes shaft, gear, pinion, bushings and circlips	ESM7
RA57	Release and key for ESM7	ESM7
RA59	Pinion for ESM7	ESM7
RA96	Limit switch brackets and magnets for ESM2 and ESM7 sliding gate operators. In conjunction with RA97 it allows limit switch operation of ESM1 instead of mechanical stop operation	ESM7
ZX81	Release key for ESM7 and EAM7	ESM7
ZX82	Anchor base for ESM7	ESM7